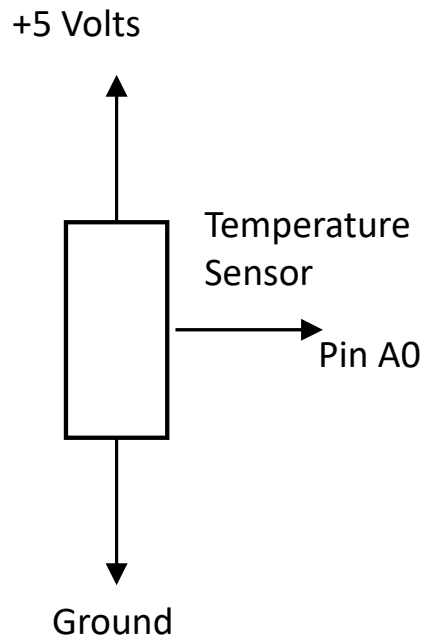
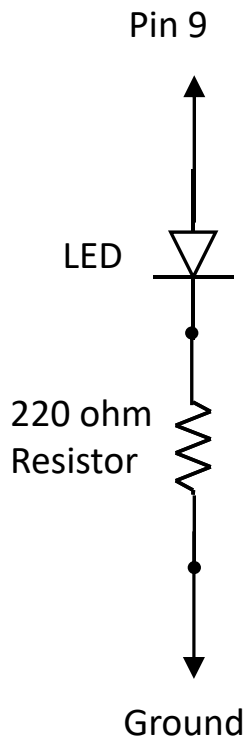


Temperature Sensor



1. Connect the Temperature sensor and a single LED (and 220 ohm resistor) as shown.
2. Write a program to read the sensor and convert it to degrees C.
 - a) Read the sensor and then convert into voltage from 0-5volts.
 - b) Take this voltage and subtract $\frac{1}{2}$ volt from the reading and then multiply by 100 to yield degrees C.
3. Convert to degrees F.
4. If the temperature is below room temperature (20°C), then blink the LED at a rate of 1 blink per second for 10 seconds.
5. If the temperature is between 20°C and 25°C , then blink the LED at a rate of 5 blinks per second for 10 seconds.
6. If the temperature is greater than 25°C , then blink the LED at a rate of 10 blinks per second for 10 seconds.
7. Make sure that all Temperature readings are sent to the Serial Monitor